



The Mark of the professional...

DESKTOP PAGING MICROPHONE



J. W. Davis DM-1A

FEATURES

- Designed for clear and precise speech
- Push-to-talk switch
- Lock-on switch for hands-free operation
- Dynamic microphone element
- Cardioid polar pattern with noise cancellation
- Priority paging
- Low impedance
- Compact die cast base

DESCRIPTION

The DM-1A is specifically engineered for paging, dispatching and radio applications. The balanced, dynamic microphone element provides a unidirectional, cardioid pattern with noise cancellation that permits clear voice reproduction in noisy environments and affords maximum gain before feedback. Low impedance allows a longer cable run from the microphone to the amplifier without encountering interference. Push-to-talk and hands-free, lock-on switches provide operational adaptability. A flexible 9.8' four-conductor, shielded cable is attached.

090301141

NEW TECHNOLOGY



OLD RELIABILITY

J. W. Davis & Company

3030 Canton Street • P.O. Box 710219 • Dallas, Texas 75371-0219
Sales 800-527-5705 • Sales Fax 800-388-9106 • Corp 214-651-7341 • Corp Fax 214-939-0328 • www.jwd.com • jwd@jwd.com

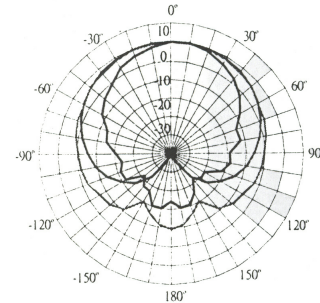
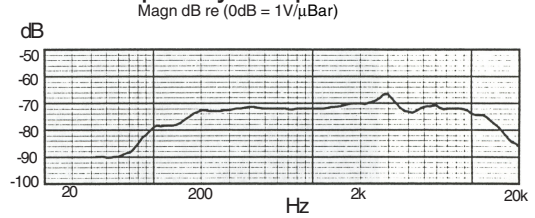


The Mark of the professional...

Specifications

Element Type	Dynamic
Polar Pattern	Cardioid polar response with noise canceling
Frequency Response	100 to 12,000 Hz
Impedance	600 ohms
Sensitivity	- 72 dB (ref 0 dB = 1V/ mBar)
Switches	Push-To-Talk Lock-On
Color/Finish	Matt Black
Construction	Base – Zinc die-casted Base Cover – ABS plastic
Net Weight	1.09 lbs. (0.49 grams)
Dimensions	5.63"D x 3.47"W x 13"H (143 mm x 88 mm x 329 mm)
Connector	9.8 ft. (3 m), 4 Conductor Shielded Cable

Frequency Response



Polar Pattern (1k Hz, 5k Hz, 10k Hz)

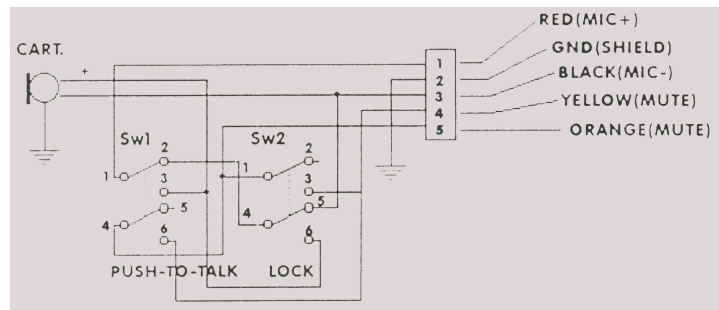
ARCHITECT'S AND ENGINEER'S SPECIFICATIONS

The dynamic desktop microphone shall be a J.W. Davis DM-1A or equivalent having a cardioid polar response pattern with noise canceling and a frequency response of 100 Hz to 12,000 Hz. The impedance of the unit shall be 600 ohms with a sensitivity of - 72 dB (ref dB = 1V/ mBar). The design shall include a 9.8 foot cable with four conductors with a two conductor shielded balanced line output and a separate pair of conductors for connection to a contact closure muting input. The unit shall have a nine inch flexible gooseneck and a push-to-talk switch with a separate lock-on switch mounted in the base. The base construction shall be zinc die-casted with a ABS plastic cover. The unit shall have a black matte finish with dimensions 5.63"(L) x 3.47"(W) x 13"(H) and a weight of 1.09 pounds.

INSTALLATION INSTRUCTIONS

The diagram below shows the wiring schematic for the DM-1A. If using a male "XLR" type connector, the GND(shield) should be connected to pin 1, the red(MIC+) connected to pin 2 and the black(MIC-) connected to pin 3. When using an amplifier that has VOX muting (such as a Davis amplifier), the yellow(mute) and orange(mute) wires should be cut or taped.

When using an amplifier without VOX muting, the yellow and orange wires should be connected to the "mute" terminal strip on the back of the amplifier.



Option: You may order a "XLR" type connector prewired to the DM-1A cable for an additional charge. Call Customer Service for information regarding the specific connector desired and the nominal prewiring cost.

NEW TECHNOLOGY OLD RELIABILITY

J.W. Davis & Company

3030 Canton Street • P.O. Box 710219 • Dallas, Texas 75371-0219

Sales 800-527-5705 • Sales Fax 800-388-9106 • Corp 214-651-7341 • Corp Fax 214-939-0328 • www.jwd.com • jwd@jwd.com